

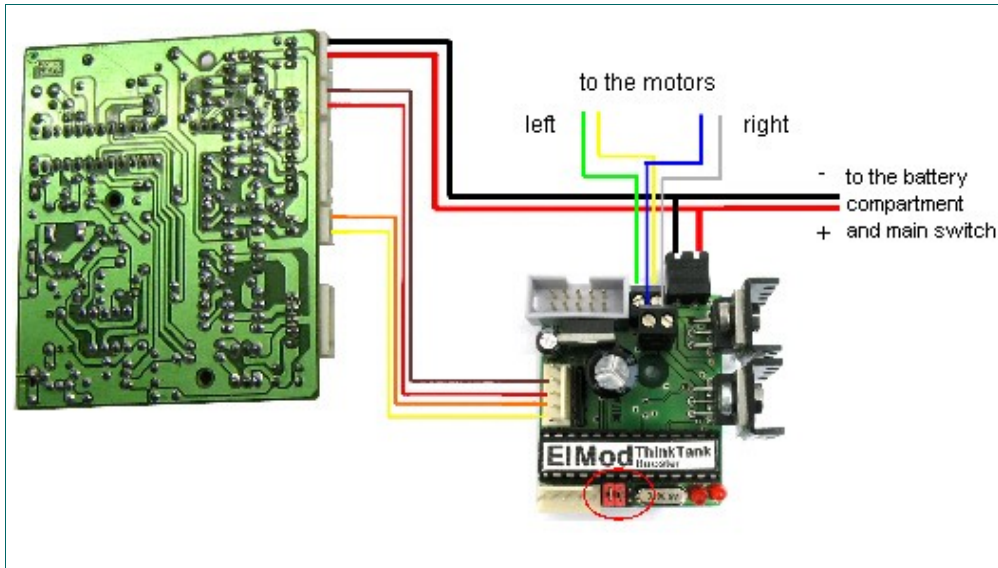
Please read this manual carefully before using this information.

### Disclaimer

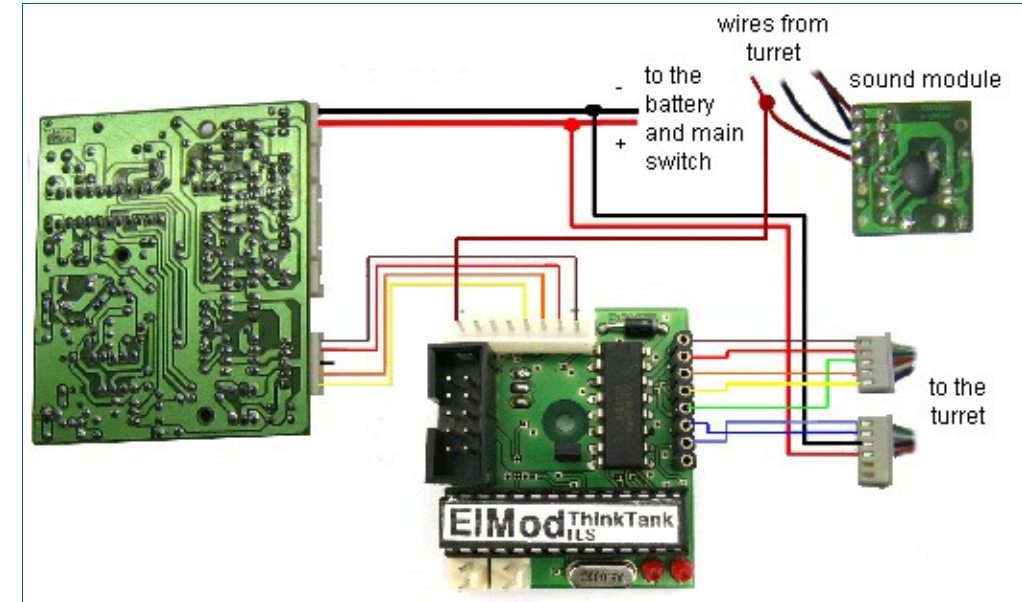
EIMod reserves the right not to be responsible for the topicality, correctness, completeness or quality of the information provided. Liability claims regarding damage caused by the use of any information provided, including any kind of information which is incomplete or incorrect, will therefore be rejected.

This document describes the wiring of the ThinkTank modules with the build-in electronics of a WSN/Trumpeter T34/85. It is identical with the „ThinkTank WireSet WSN T34/85“ which can be purchased in our webshop.

### 1. Wiring for ThinkTank Booster



### 2. Wiring for ThinkTank TLS



REMARK: Layout for PCB may vary, wiring scheme doesn't.